

Dexxo Compact RTS

EN Installation instructions

5072364E



Translated version of the installation guide

CONTENTS

1 - Safety instructions

- 1.1 Caution - Important safety instructions
- 1.2 Introduction
- 1.3 Preliminary checks
- 1.4 Electrical installation
- 1.5 Safety instructions relating to installation
- 1.6 Regulations
- 1.7 Assistance
- 1.8 Risk prevention

2 - Product description

- 2.1 Composition - Fig. 1
- 2.2 Field of application - Fig. 2

3 - Installation

- 3.1 Installation height - Fig. 3
- 3.2 Installation steps - Fig. 4 to 14

4 - Programming

- 4.1 Description of the programming buttons
- 4.2 Auto-programming - Fig. 15
- 4.3 Locking access to the parameters (button A) - Fig. 16

5 - Operating test

- 5.1 Using the remote controls - Fig. 17
- 5.2 Obstacle detection operation - Fig. 18 and 19
- 5.3 Integrated lighting operation
- 5.4 User training

6 - Connecting additional devices

- 6.1 Description of the different additional devices - Fig. 20
- 6.2 Electrical connection of the additional devices- Fig. 20 to 23

7 - Parameter setting and operating options

- 7.1 General parameter setting diagram - Fig.24
- 7.2 Meaning of the various parameters

8 - Specific operation

9 - Clearing the remote controls and all settings

- 9.1 Deleting remote controls - Fig. 28
- 9.2 Reinitialising all settings - Fig. 29

10 - Unlocking the parameters menu FIG. 30

11 - Refitting the cover flap - Fig. 31

12 - Diagnostics

13 - Technical data

- 13.1 Dimensions

1 - SAFETY INSTRUCTIONS

Please read carefully

Please read the safety instructions very carefully as well as the product installation and user guides before installing and using this product.



This symbol indicates a danger, the different degrees of which are described below.



DANGER

Indicates a danger which may result in immediate death or serious injury



WARNING

Indicates a danger which may result in death or serious injury



PRECAUTION

Indicates a danger which may result in minor or moderate injury

ATTENTION

Indicates a danger which may result in damage to or destruction of the product



DANGER

The drive must be installed and adjusted by a professional motorisation and home automation installer, in compliance with the regulations of the country in which it is to be used.

Failure to follow these instructions may result in serious injury, e.g. due to crushing by the gate.

1.1 Caution - Important safety instructions



WARNING

For reasons of personal safety, it is important to follow all the instructions, as incorrect installation can lead to serious injury. Retain these instructions.

The installer must train all users to ensure the drive is used in complete safety, in accordance with the user manual.

The user manual and installation manual must be given to the end user. The installer must explain clearly to the end user that installation, adjustment and maintenance of the drive must be performed by a professional motorisation and home automation installer.

1.2 Introduction

> Important information

This product is a drive for vertically or horizontally opening garage doors, for residential use as defined in standard EN 60335-2-95 and EN 60335-2-103, with which it complies. The main purpose of these instructions is to satisfy the requirements of the aforementioned standards and to ensure the safety of equipment and persons.

! WARNING

Any use of this product outside the field of application described in these instructions is prohibited (see "Field of application" paragraph in the installation manual).
The use of any accessories or components not recommended by Somfy is prohibited, as personal safety cannot be guaranteed.

Any failure to comply with the instructions given in this guide shall exclude Somfy from all liability and invalidate the Somfy warranty.

In case of any doubts when installing the drive, or to obtain additional information, consult the website www.somfy.com.
The instructions may be modified if and when there is a change to the standards or to the drive.

1.3 Preliminary checks**> Installation environment****ATTENTION**

Do not spray water onto the drive.
Do not install the drive in an explosive environment.

> Condition of the door to be motorised

Before installing the drive, check that:

- the door is in good mechanical condition
- the door is correctly balanced
- The structures of the garage (walls, lintel, partitions, ceiling, etc.) enable the drive to be fixed securely. Strengthen these if necessary.
- the door can be correctly opened and closed manually using a force of less than 150 N.

! DANGER

CAUTION: It is dangerous to perform any operation on the door springs (the door may fall).

> Specifications of the door to be motorised

After installation, ensure that the parts of the door do not encroach onto the pavement or public thoroughfare.

! WARNING

If the garage door is fitted with a wicket door, the door must be equipped with a system that prevents it from moving when the wicket door is not in the safety position.

1.4 Electrical installation**! DANGER**

The installation of the power supply must comply with the standards in force in the country in which the drive is installed, and must be carried out by qualified personnel.

The electric line must be exclusively reserved for the drive and equipped with protection, comprising:

- a 10 A fuse or breaker,
- a differential type device (30 mA).

An all-pole power supply cut-off device must be provided.
It is recommended that you fit a lightning conductor (maximum residual voltage 2 kV).

> Cable feed

Underground cables must be equipped with a protective sheath with a sufficient diameter to contain the motor cable and the accessories cables.

For overground cables, use a cable grommet that will withstand the weight of vehicles (ref. 2400484).

1.5 Safety instructions relating to installation**! WARNING**

Before installing the drive, remove any unnecessary cords or chains and deactivate any locking device (bolt) which is not required for motorised operation.

! DANGER

Do not connect the drive to a power supply (mains, battery or solar) until installation is complete.

! WARNING

Ensure that any danger zones (crushing, cutting, trapping) between the driven part and the surrounding fixed elements caused by the opening movement of the driven part are avoided or indicated on the installation (see "Risk prevention").

Permanently affix the crushing warning labels near to any fixed control devices, and so that they are extremely visible to the user.

! WARNING

Modifying one of the elements provided in this kit or using an additional element not recommended in this manual is strictly prohibited.

Monitor the door as it moves and keep people away from it until installation is complete.

Do not use adhesive to secure the drive.

Install the internal manual back release device at a height of less than 1.8 m.

Permanently affix the label concerning the manual back release device near to its mobile component.

! WARNING

Take care when using the manual back release device as an open door can suddenly fall off if the springs are weak, broken, or incorrectly balanced.

ATTENTION

Install any fixed control device at a height of less than 1.5 m and within sight of the door, but away from moving parts.

After installation, ensure that:

- the mechanism is correctly adjusted
- the manual back release device is operating correctly
- the drive changes direction when the door encounters an object 50 mm high on the ground.

> Safety devices

! WARNING

For operation in automatic mode or remote control, photoelectric cells must be installed.
In automatic mode, the drive operates in at least one direction with no intentional activation by the user.

For operation in automatic mode or if the garage door faces a public road, installation of an orange light may be required to comply with the regulations in the country in which the drive is installed.

> Clothing precautions

Take off any jewellery (bracelet, chain, etc.) during installation.

For manoeuvring, drilling and welding operations, wear appropriate protection (special glasses, gloves, ear protection, etc.).

1.6 Regulations

Somfy SAS declares that the product described in these instructions, when used in accordance with these instructions, complies with the essential requirements of the applicable European Directives and, in particular, with the Machinery Directive 2006/42/EC and the Radio Equipment Directive 2014/53/EU.

The full text of the EC declaration of conformity is available on the following website: www.somfy.com/ce. Antoine CREZE, Head of Regulations, Cluses

1.7 Assistance

You may encounter difficulties or have questions when installing your drive.

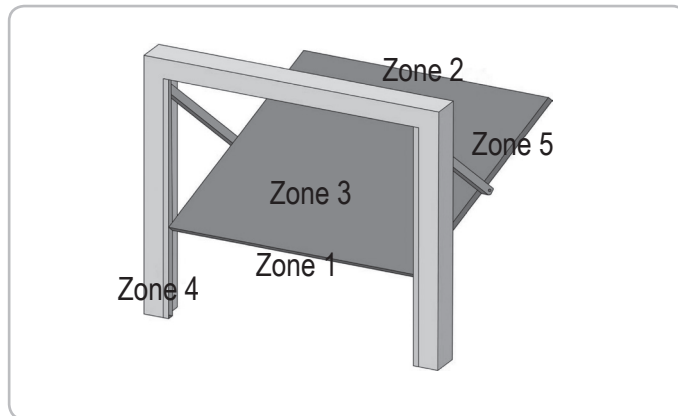
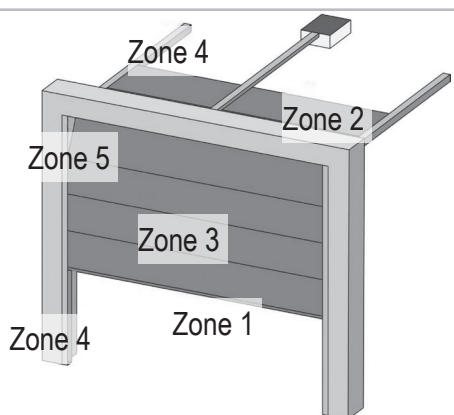
Do not hesitate to contact us; our specialists are on hand to answer all your questions.

Internet: www.somfy.com

1.8 Risk prevention

! WARNING

Risk prevention - motorisation of sectional/up and over garage door for residential usage



Risk zones: measures to be taken to eliminate risks.

RISK	SOLUTION
<p>ZONE 1 Risk of crushing between the ground and the lower edge of the door during closing</p>	<p>Obstacle detection built into the drive. Obstacle detection must be confirmed as being compliant with Appendix A of standard EN 12 453 For operation with automatic closing, install photoelectric cells</p>
<p>ZONE 2 Risk of crushing between the lintel and the upper edge of the door during closing</p>	<p>Obstacle detection built into the drive. Obstacle detection must be confirmed as being compliant with Appendix A of standard EN 12 453</p>
<p>ZONE 3 Risk of cutting or trapping between the door panels in gaps of between 8mm and 25mm</p>	<p>Eliminate all sticking points and all sharp edges from the surface of the door Eliminate any gap ≥ 8 mm or ≤ 25 mm</p>
<p>ZONE 4 Risk of trapping between the roller rails and bearings</p>	<p>Eliminate all sharp edges on the guide rails Eliminate any gap ≥ 8 mm between the rails and the bearings</p>
<p>ZONE 5 Risk of crushing between the secondary edges and adjoining fixed parts</p>	<p>Obstacle detection built into the drive. Obstacle detection must be confirmed as being compliant with Appendix A of standard EN 12 453</p>

2 - PRODUCT DESCRIPTION

2.1 Composition - Fig. 1

No.	Qty	Description
1	1	Motor head
2	1	Flap
3	1	Lintel bracket
4	1	Door bracket
5	2	Ceiling mounting bracket
6	2	Motor head mounting bracket
7	1	Manual back release device
8	1	Connecting arm
9	1	End limit stop
10	4	TCB-H 4.2x13 zn self-tapping screws
11	1	Power supply cord
12	4	TH10 M8x12 zn washer screws
13	2	TH M8x16 zn screws
14	6	HU8 nut
15	2	Shaft
16	2	Circlips
17	4	Thread-forming screws Ø 4x8
18a	1	Single unit rail
18b	1	2-part rail
18b1	1	Sleeve
18b2	8	Thread-forming screws Ø 4x8
19	2	Remote control*
20	1	24 V 20 W G4 halogen bulb
21	2	Chain bearings

* The model and number of remote controls may vary depending on the pack.

2.2 Field of application - Fig. 2

This drive is exclusively intended to equip a garage door designed for indoor residential use not exposed to inclement weather.

Types of door (Fig.2)

The DEXXO drive is designed to motorise:

A: overhead door.



B: sectional door:

- if the upper profile of the panel is special, use the "mounting yoke for a sectional door" part no.: 9009390.

Door dimensions (Fig. 2)

Garage doors up to a surface area of 7 m² can be motorised

For maximum door heights, the motor travel can be optimised:

- By mounting the motor head at 90° (Fig. 6- .
- By fixing the lintel yoke to the ceiling, setting it back a maximum of 200 mm in relation to the lintel (Fig. 4- .
- By cutting the connecting arm.

3 - INSTALLATION

if the garage door is the sole means of access to the garage, install an external back release device (ref. 9012961 or ref. 9012962).

The position in which the drive will be fitted must allow for safe and easy manual release of the product.


3.1 Installation height - Fig. 3

Measure the distance "D" between the highest point of the door and the ceiling.

- If "D" is between 35 and 200 mm, secure the assembly directly to the ceiling.
- If "D" is greater than 200 mm, secure the assembly so that the height "H" is between 10 and 200 mm.

3.2 installation steps - Fig. 4 to 14

Mounting the lintel yoke and door yoke (Fig. 4)

In the case of a door being installed directly on the ceiling (attached ceiling), the lintel yoke may be fixed to the ceiling and, if necessary, have an offset of 200 mm max in relation to the lintel. (Fig. 4- .

Assembling the 2-part rail (Fig. 5)

[1]. [2]. [3]. Unfold the 2 sections of the rail.



Ensure that the chain or belt is not twisted.

[4]. Assemble the 2 sections of the rail using the sleeve.

[5]. Secure the assembly using 8 mounting screws.

[6]. Tighten the nut to tension the chain or belt. The compressed rubber must measure 18 and 20 mm.

The mounting screws must not penetrate the rail (do not drill).

In the case of an attached ceiling installation, do not use the sleeve mounting screws.

Assembling the rail to the motor head (Fig. 6)


Mounting the assembly on the garage ceiling (Fig. 7 to 9)

Mounting the lintel yoke (Fig. 7)

Mounting to the ceiling

Attached ceiling: mount the system directly to the ceiling using the rail (Fig. 8).

Detachable ceiling: mount the system at the motor head (Fig. 9)

For adjustable intermediate mounting along the rail, or mounting at a dimension h between 250 mm and 550 mm, use the ceiling mounting kit, part no.: 9014462 (Fig. 9 - .

Mounting the arm to the door and carriage (Fig. 10)



If the back release handle is higher than 1.80 m, it will be necessary to extend the cable to make it accessible to all users.

[1]. Release the carriage using the manual back release device.

[2]. Bring the carriage level with the door.

[3]. Secure the arm to the door yoke and carriage.

Adjusting and mounting the opening stop (Fig. 11)

[1]. Release the carriage using the manual back release device and move the door to the open position.



During this operation, check that there is no risk that the back release device cable will subsequently become snagged on an element protruding from the car (for example a roof rack).

Do not open the door fully, but position it so that it does not reach its stops.

[2]. Position the stop against the carriage and secure it to the rail.

Mounting the chain bearings (Fig. 12)

For chain rails only.

Position each of the bearings in the first hole in the rail, outside the end limits.

Ensure that the bearing is fully pushed in so that the positioning lug protrudes past the outside of the rail.

Checking the tension of the chain or belt (Fig. 13)

The rails are supplied pre-tensioned and checked. If necessary, adjust this tension.



The rubber or tension spring must never be completely compressed during operation.

Connection to the electrical power supply (Fig. 14)

[1]. Fit the light.



Handle the bulb with gloves or a cloth.

[2]. Connect to the mains supply.

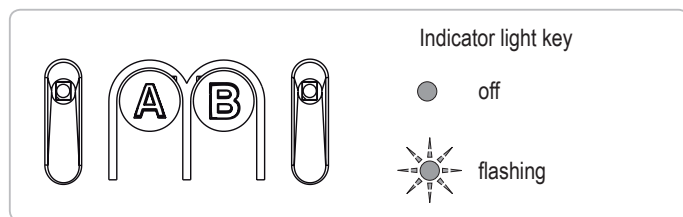
Indicator light B flashes twice continuously to indicate that the motor is waiting for auto-programming.



Connect the power supply cable to a socket provided for this purpose and which complies with the electrical requirements.

4 - PROGRAMMING

4.1 Description of the programming buttons



Buttons	Function
B	- Triggers auto-programming - Memorising/clearing the remote controls - Modifying the value of a setting
A	- Using forced operating mode - Selecting a setting
Indicator light A	- Parameter indicator light selected
Indicator light B	- Parameter value indicator light - Fault indicator light

4.2 Auto-programming - Fig. 15

- Control the motor with button "A" so that the transmission shuttle is engaged on the carriage and bring the door to the closed position:
 - Keep button "A" depressed to cause the shuttle to move.
 - Release the button to stop the movement.
 - Keep button "A" depressed again to trigger movement in the opposite direction.
 Release button "A" before forcing the motor on the door.
- Adjust the closed position using button "A".
Release button "A" before forcing the motor on the door.
- Press "B" to launch the auto-programming cycle.
The door performs a complete Opening-Closing cycle.
 - If the auto-programming is correct, indicator light B goes out.
 - If the auto-programming cycle was not successful, indicator light B continues to flash (2 flashes).
 During auto-programming:
 - If the door is moving, the movement is stopped and auto-programming is interrupted if any of the buttons is pressed.

It is possible to access auto-programming mode at any moment including when the auto-programming cycle has already been completed.

Note: The remote controls supplied in the kit have already been memorised.



WARNING

At the end of installation, it is essential to check that the obstacle detection complies with appendix A of standard EN 12 453.

4.3 Locking access to the parameters (button A) - Fig. 16

- Press button A repeatedly until the indicator light A flashes 4 times.
Press button B once:
- The parameters menu (button A) is locked.



WARNING

Once installation is complete, the parameters menu must always be locked to ensure the safety of users.
Failure to follow this instruction may result in serious injury, e.g. due to crushing by the gate.

At this stage of the installation, the Dexxo Compact RTS drive is ready to operate.

5 - OPERATING TEST

5.1 Using the remote controls - Fig. 17

5.2 Obstacle detection operation - Fig. 18 and 19

When an obstacle is detected during closing, the door re-opens (Fig. 18).

When an obstacle is detected during opening, the door will stop (Fig. 19).

Check that the obstacle detection function works when the door encounters a 50 mm high obstacle on the ground.

5.3 Integrated lighting operation

The lighting comes on each time the drive is switched on. When the door stops moving, it goes off automatically after 30 seconds. Repetitive use will cause the light to be lit constantly which may result in the light being switched off automatically due to thermal protection.

5.4 User training

All users must be trained on how to safely use this door (standard use and locking principle) and on the mandatory periodic checks.

6 - CONNECTING ADDITIONAL DEVICES

6.1 Description of the different additional devices - Fig. 20

No.	Description
1	Orange light
2	Wired code keypad
3	Key lock
4	Aerial
5	Battery
6	Photoelectric cells

6.2 Electrical connection of the additional devices- Fig. 20 to 23

Switch off the electrical supply to the motor before performing any operation on the additional devices.

General electrical diagram (Fig. 20)

Photoelectric cells (Fig. 21)

When positioning the cells, remove the bridge created between terminals 1 and 2.



If cells are removed, it is essential to recreate the bridge between terminals 1 and 2.

Solar kit (Fig. 22)

Activate solar mode by adjusting the motor power supply type (see below).

Wired code keypad (Fig. 23)

7 - PARAMETER SETTING AND OPERATING OPTIONS

7.1 General parameter setting diagram - Fig.24

7.2 Meaning of different parameters

Programming example: Adjusting the long slow zone (Fig. 25)

Indicator light A	Obstacle detection sensitivity
Indicator light B	1 : very low sensitivity 2 : slightly sensitive 3 : standard 4 : very sensitive



WARNING

If this parameter is changed, the installer must check that the obstacle detection complies with appendix A of standard EN 12 453. Failure to follow this instruction may result in serious injury, e.g. due to crushing by the gate.

Indicator light A	Docking speed when closing
Indicator light B	1 : no reduction in speed 2 : short slowing 3 : long reduction in speed
Comments	1: no reduction in speed at the end of closing. 2: the speed is reduced during the last 20 centimetres. 3: the speed is reduced during the last 50 centimetres.



WARNING

If this parameter is changed, the installer must check that the obstacle detection complies with appendix A of standard EN 12 453. Failure to follow this instruction may result in serious injury, e.g. due to crushing by the gate.

Indicator light A	Auto-programming mode
Indicator light B	2 : waiting for auto-programming 0 ● : self-learning is complete

Indicator light A	Locking the parameters menu
Indicator light B	0 ● : the parameters menu is locked



If button B is pressed accidentally, move on to step 10 to unlock the parameters menu

Indicator light A	Power supply
Indicator light B	1 : power supply 2 : solar

Memorising the remote control for operation in “Partial opening” mode (Fig. 26)

The remote controls supplied in the kit have already been memorised.

It is possible to memorise up to 32 control channels.

If this procedure is carried out using a channel which has already been memorised, this channel will be cleared.

Memorising a Telis type remote control or similar (Fig. 27)

8 - SPECIFIC OPERATION

See the user booklet.

9 - CLEARING THE REMOTE CONTROLS AND ALL SETTINGS

9.1 Deleting remote controls - Fig. 28

Press button “B” until the light flashes (7 sec.).

Causes all memorised remote controls to be cleared.

9.2 Reinitialising all settings - Fig. 29

- Press button “A” 3 times to access the auto-programming parameter.
- Press button “B” to enter auto-programming mode. Indicator light B flashes twice continuously.
- Control the motor with button “A” so that the transmission shuttle is engaged on the carriage and brings the door to the closed position.
- Press “B” to launch the auto-programming cycle. The door performs a complete Opening-Closing cycle.
 - If the auto-programming is correct, indicator light B goes out.
 - If the auto-programming cycle was not successful, indicator light B flashes twice continuously.

10 - UNLOCKING THE PARAMETERS MENU FIG. 30

Note: If the parameters menu is locked and no memorised remote control is available, it will be necessary to memorise a remote control first (fig. 26 or fig. 27).

- Press and hold button A on the DEXXO COMPACT.
- Without releasing button A, press a button on a remote control which is already memorised. The light on the DEXXO COMPACT comes on briefly to indicate that unlocking has taken place.
- Release button A.



WARNING

Once the work being carried out by the professional is complete, the parameters menu must always be locked to ensure the safety of users. Failure to follow this instruction may result in serious injury, e.g. due to crushing by the gate.

11 - REFITTING THE COVER FLAP - FIG. 31

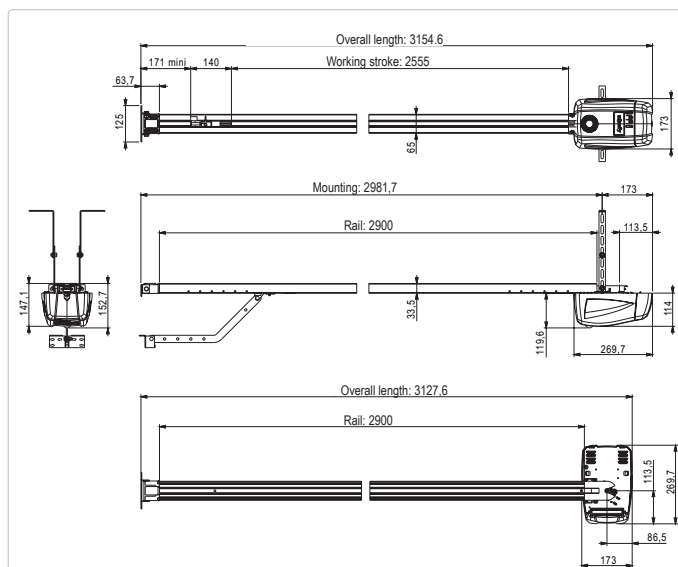
Fit the cover flap.

12 - DIAGNOSTICS

Indicator light B	Meaning	Solution?
2	Motor waiting for auto-programming	Start auto-programming
3	Cell fault	Check that no obstacles prevent the cells from detecting. Check the wiring of the cells or create a bridge between terminals 1 and 2 if no cells are installed. Check the correct alignment of the cells.
5	Motor thermal protection device	Leave the motor to cool until the fault disappears.
6	Motor current measuring circuit fault or sensor fault	Switch off the power supply (mains and backup battery), wait a few minutes then reconnect the power supply. Perform an auto-programming cycle. If the fault persists, contact Somfy technical support.
7	Maximum power delivered by the motor reached during the auto-programming phase	Product has reached operating limit.

Gradual starting	Yes
Opening speed	Fixed: 14 cm/s (max.)
Closing speed	Fixed: 12 cm/s (max.)
Docking speed when closing	Programmable: no reduction in speed, short slow zone (30 cm), long slow zone (50 cm)

13.1 Dimensions



13 - TECHNICAL DATA

GENERAL SPECIFICATIONS	
Power supply	230 V - 50 Hz
Max. power consumption	Standby: 4 W Operation: 120 W
Max. tensile force	600 N
Use	semi-intensive
Maximum speed	14 cm/s
Programming interface	2 buttons - 2 indicator lights
Climatic operating conditions	- 20°C / + 60°C - dry interior IP 20
End limits	Mechanical stop when opening Electronic when closing: stored closing position
Electrical insulation	Class 2: double-insulated <input type="checkbox"/>
Integrated lighting	24 V 20 W G4 halogen bulb
Radio frequency))) 433.42 MHz < 10 mW
Number of storable channels	32
CONNECTIONS	
Safety input	Type: Dry contact: NF Compatibility: TX/RX photoelectric cells
Wired control input	Dry contact: NO
Orange light output	Flashing output for orange light: 24 V - 15 W
Accessories supply output	24 V - 500 mA max
Offset aerial input	Yes: compatible with RTS aerial (part no. 2400472) Yes: compatible with battery pack (part no.: 9001001)
Backup battery input	Battery life: 24 hours; 5 to 10 cycles depending on the door Recharging time: 72 hours
OPERATION	
Forced operating mode	By pressing and holding button "A"
Timed lighting (after movement)	Fixed: 30 s
Orange light warning	2 sec. automatic if light connected
Security entry operation	When closing: Total reopening Before opening (ADMAP): With
Integrated obstacle detection	Adjustable sensitivity: 4 levels
Operation in the event of obstacle detection	Total reopening

Somfy

50 avenue du Nouveau Monde
BP 152 - 74307 Cluses Cedex
France

www.somfy.com