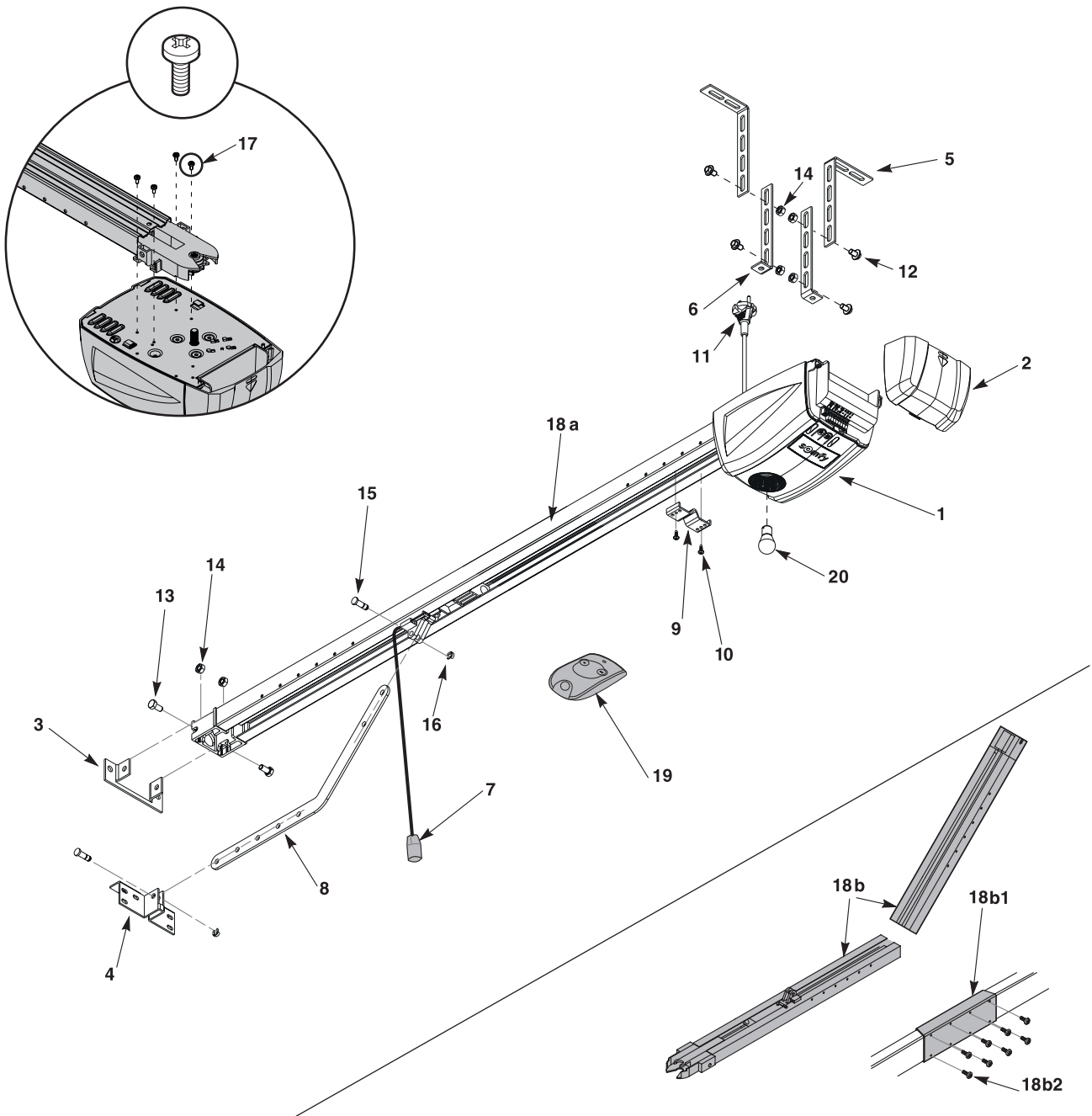
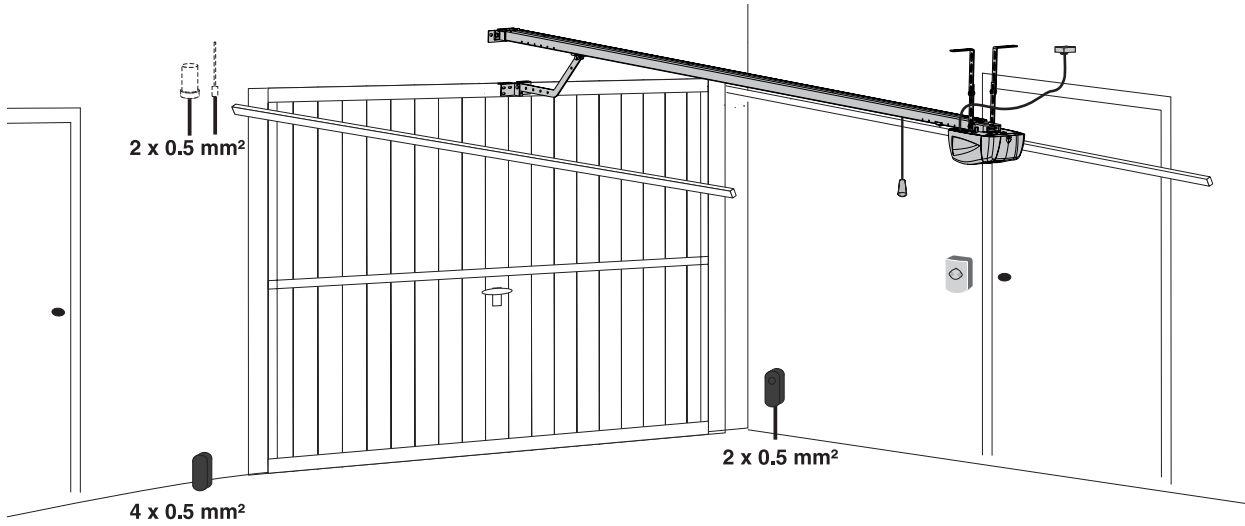


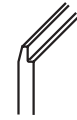
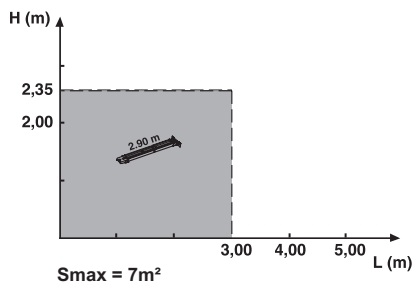
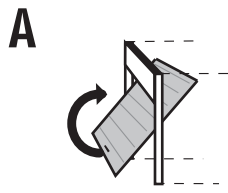
Dexxo Compact RTS

EN Installation instructions - Illustrations

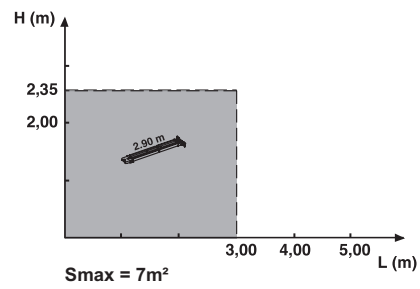
1



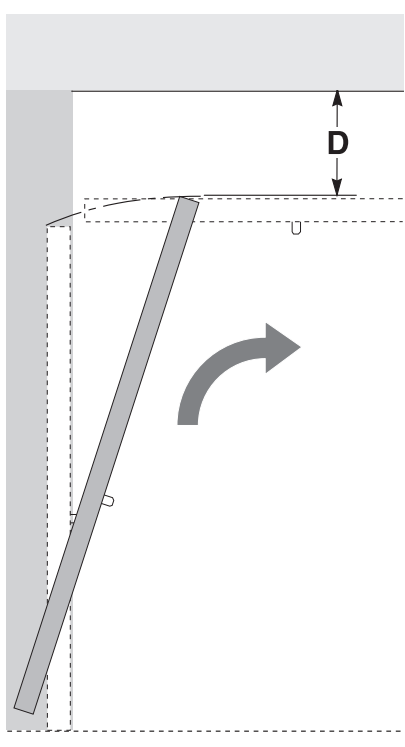
2



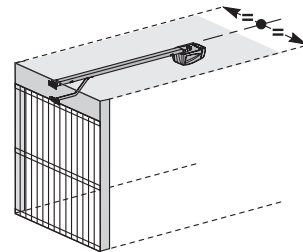
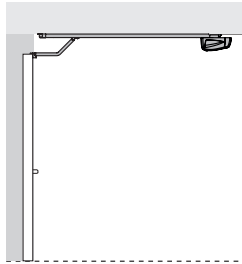
REF : 9009390



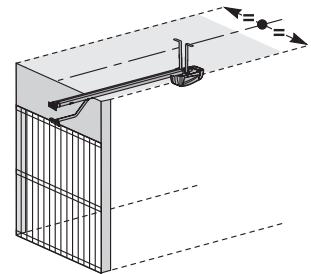
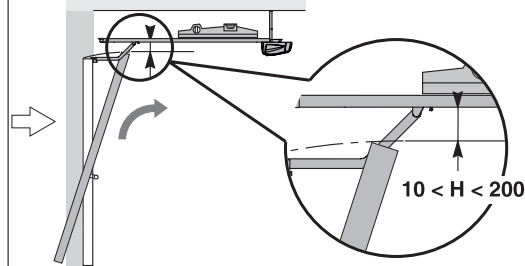
3



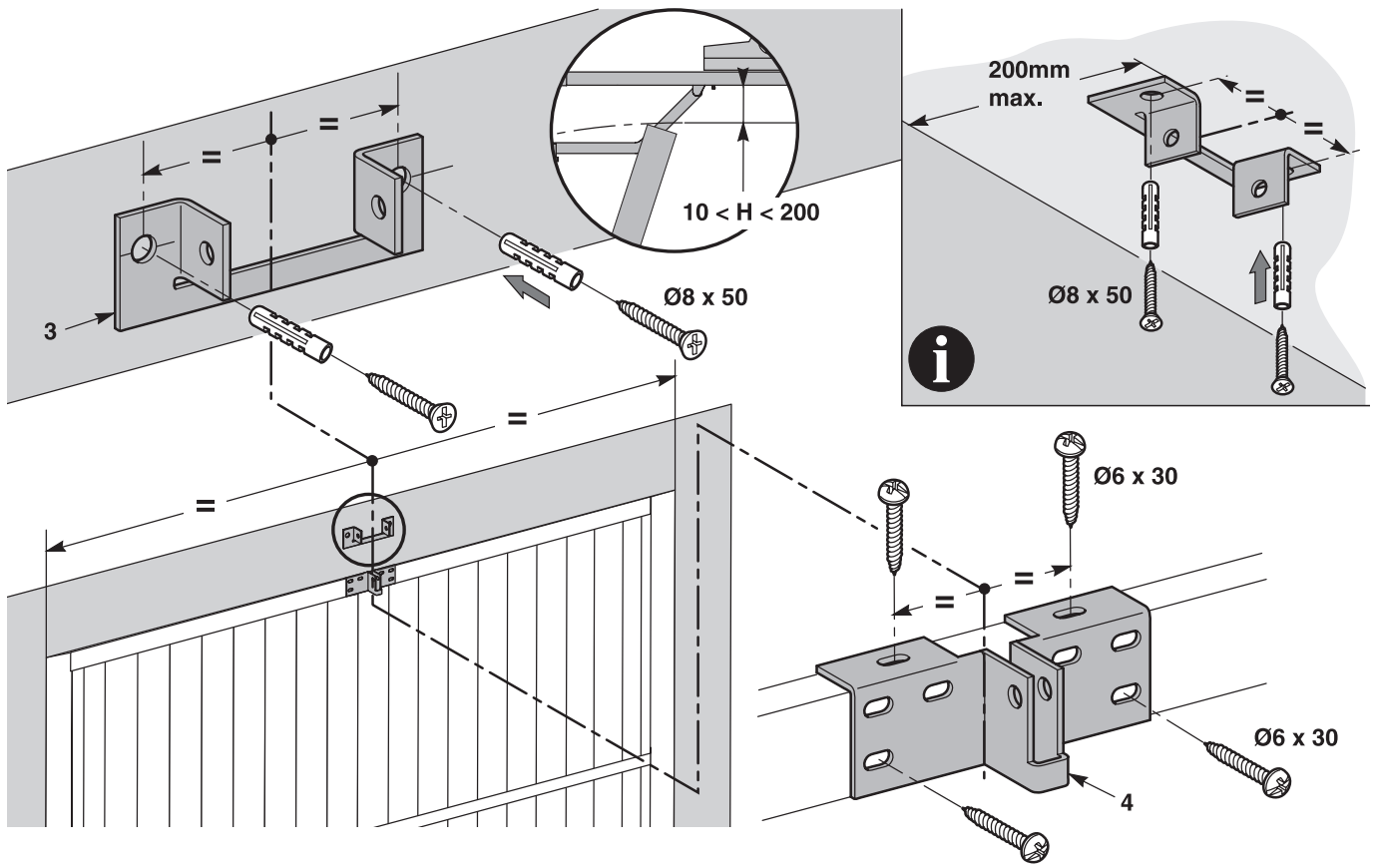
$35 < D < 200$



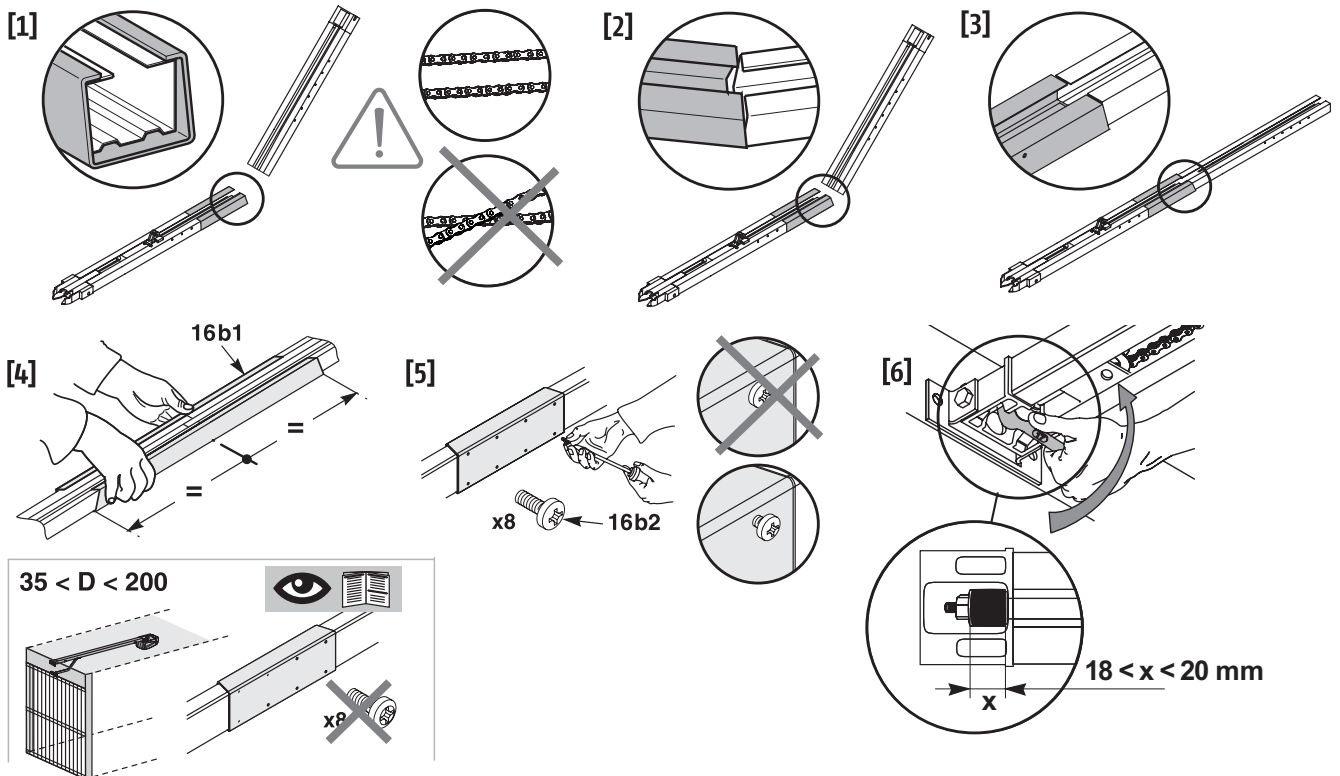
$D > 200$



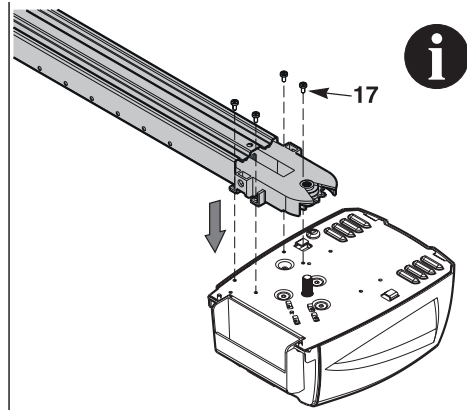
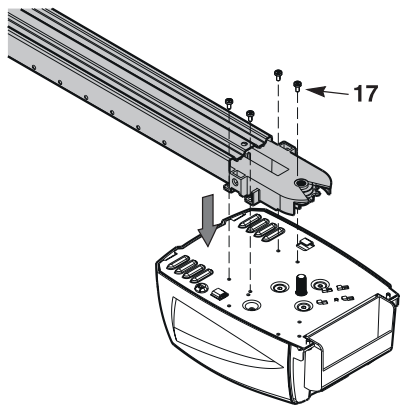
4



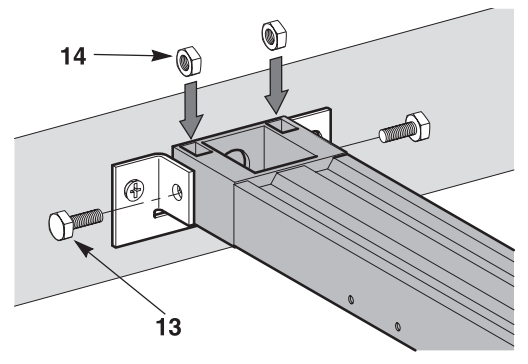
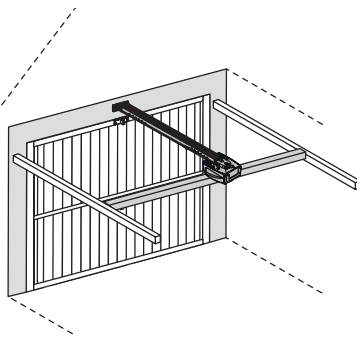
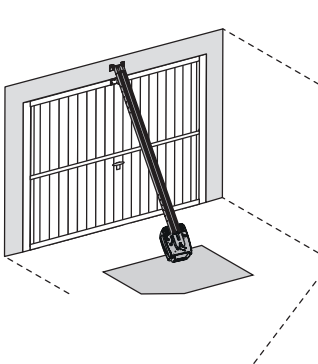
5



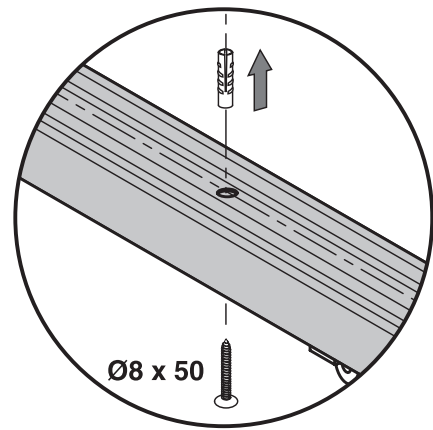
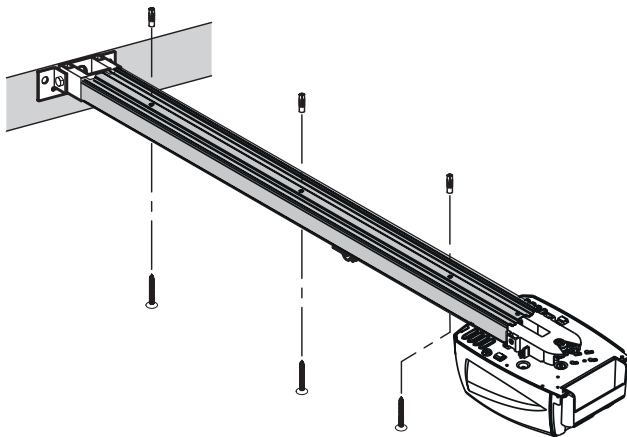
6



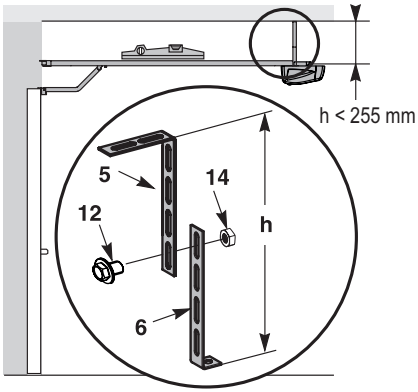
7



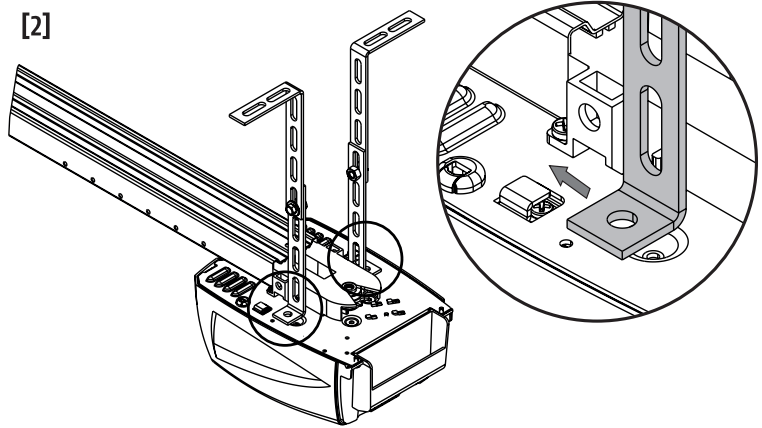
8



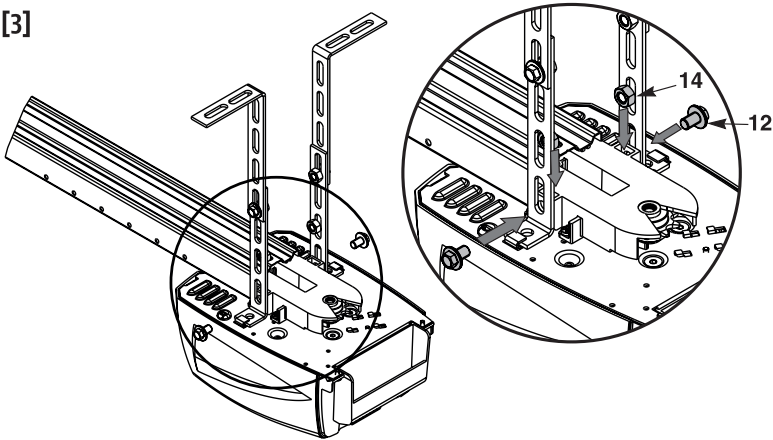
[1]



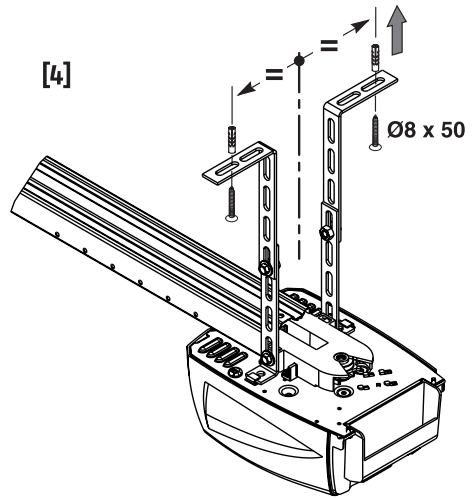
[2]



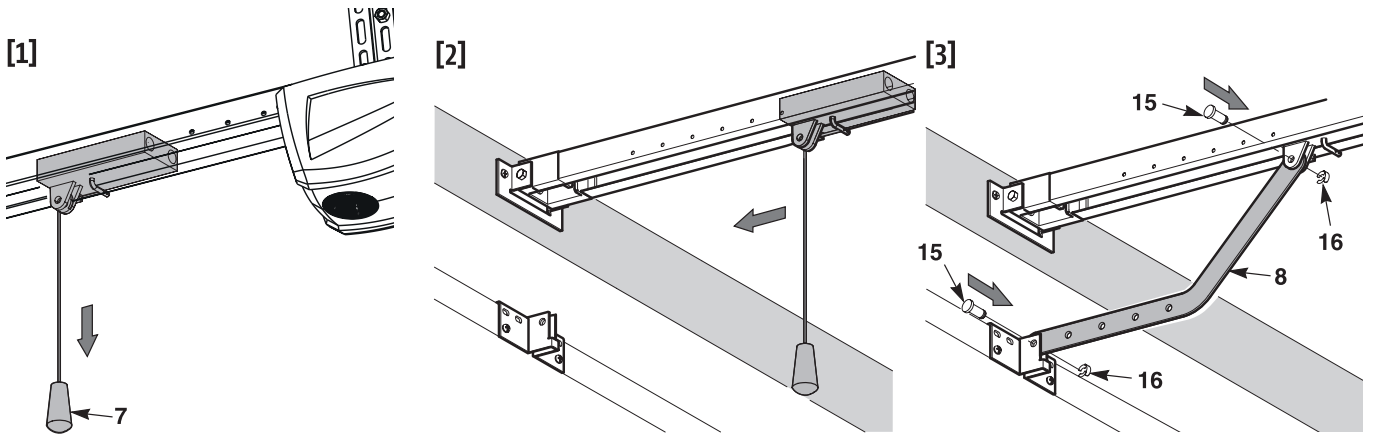
[3]



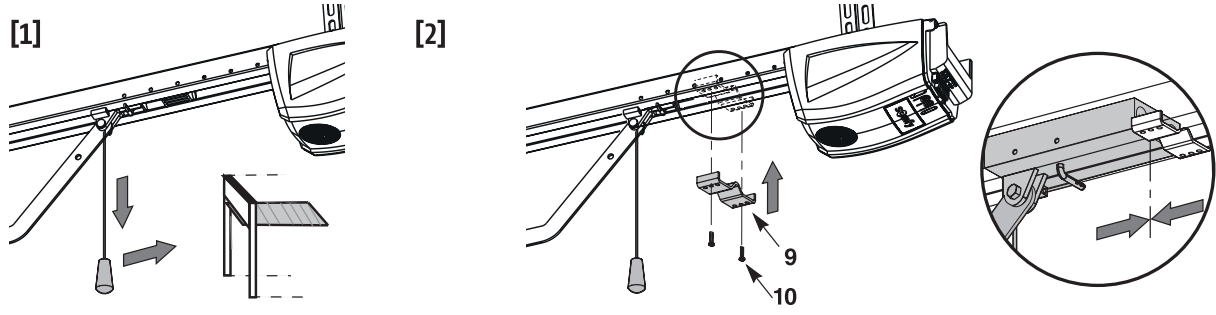
[4]



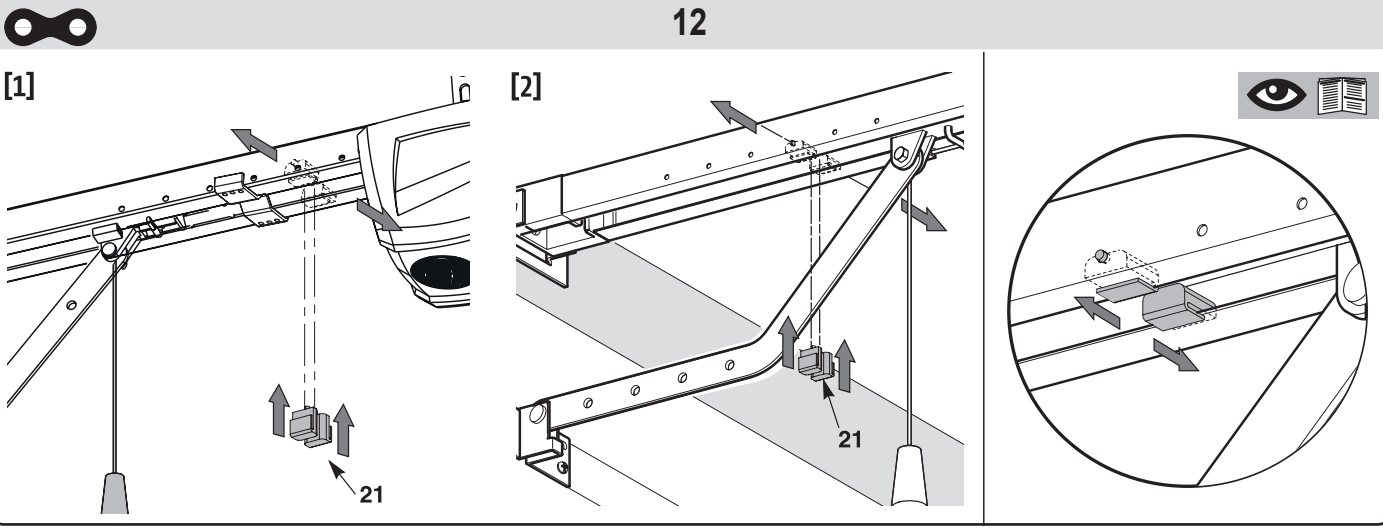
10



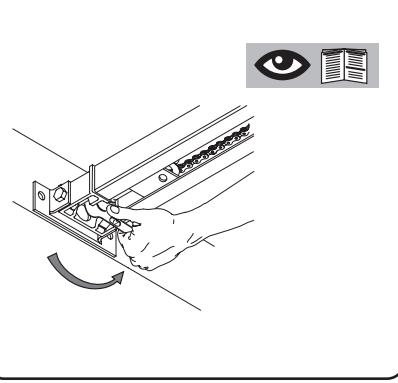
11



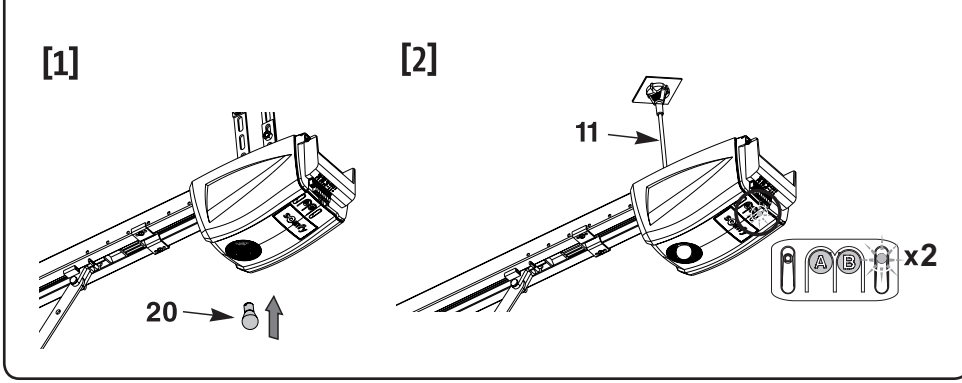
12



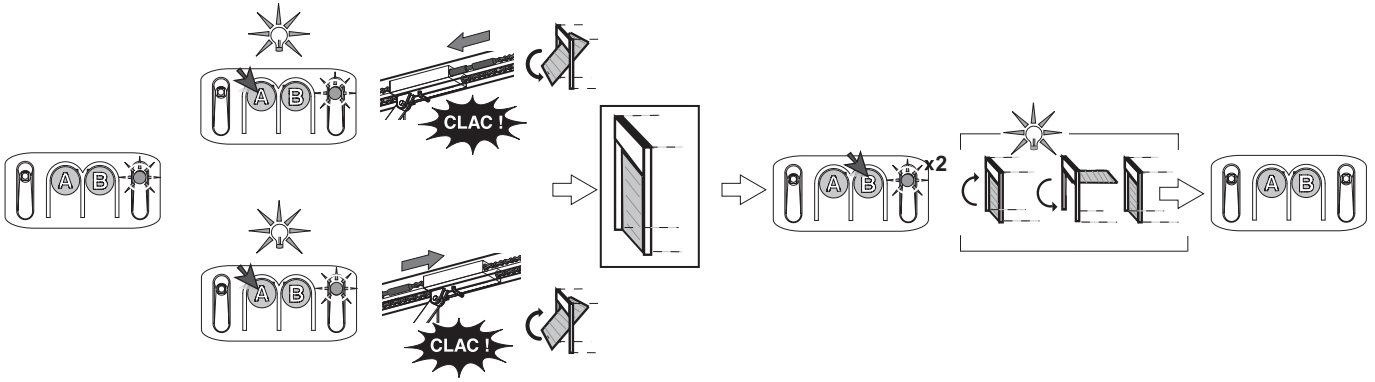
13



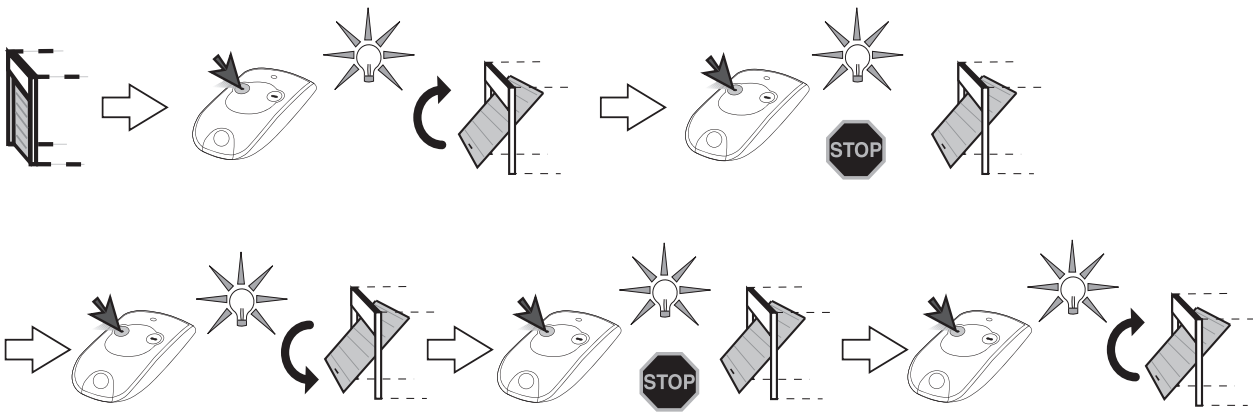
14



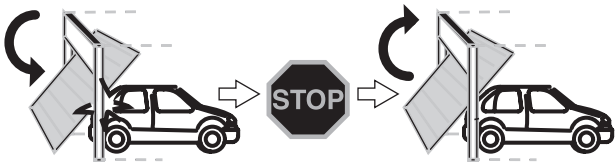
15



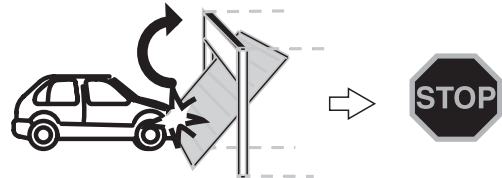
16

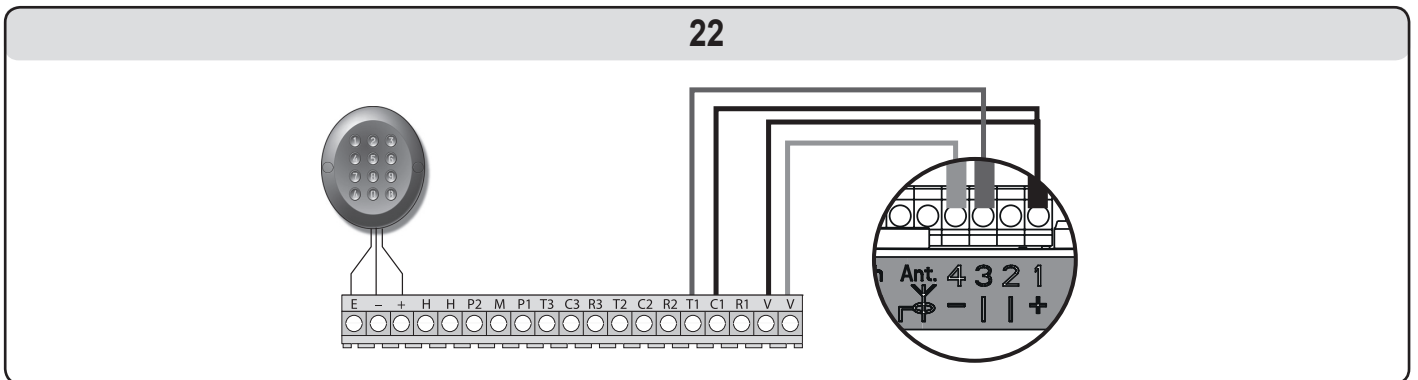
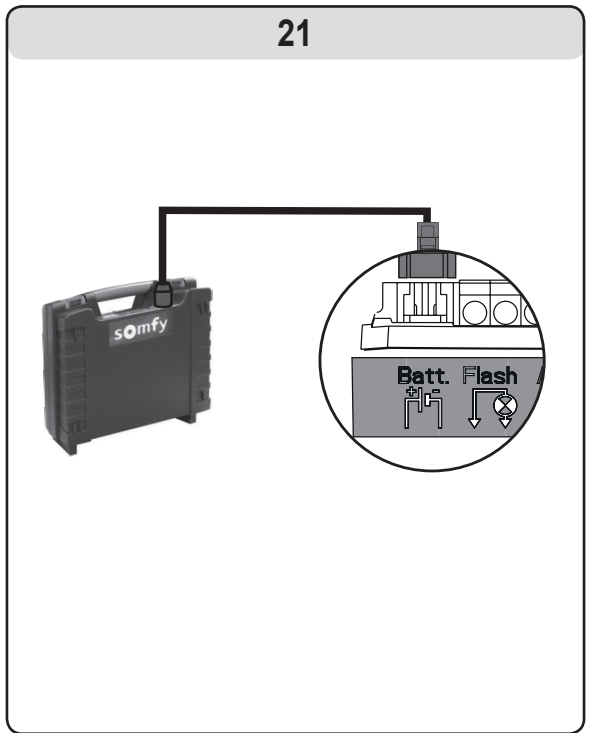
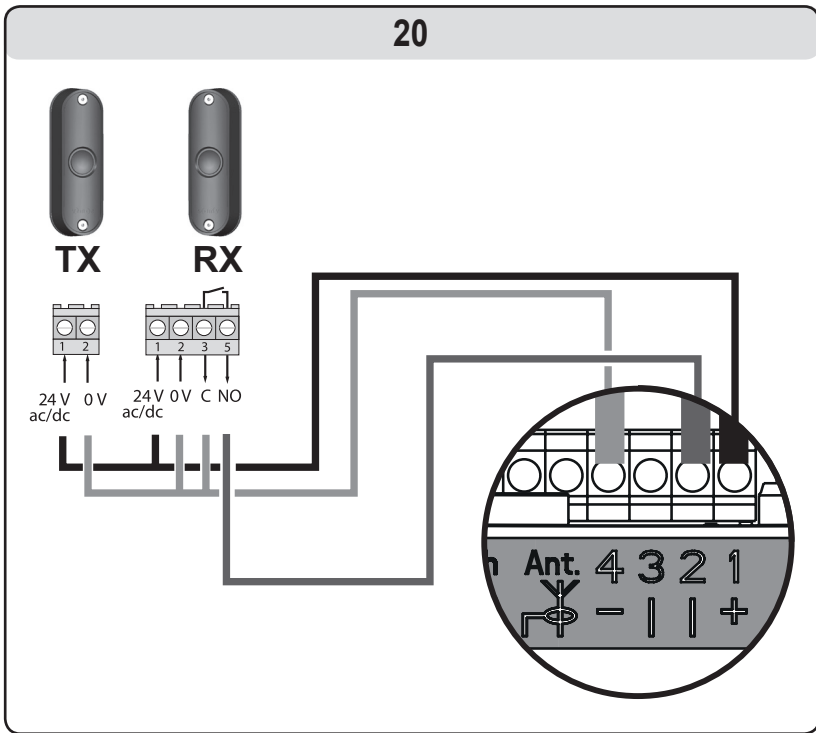
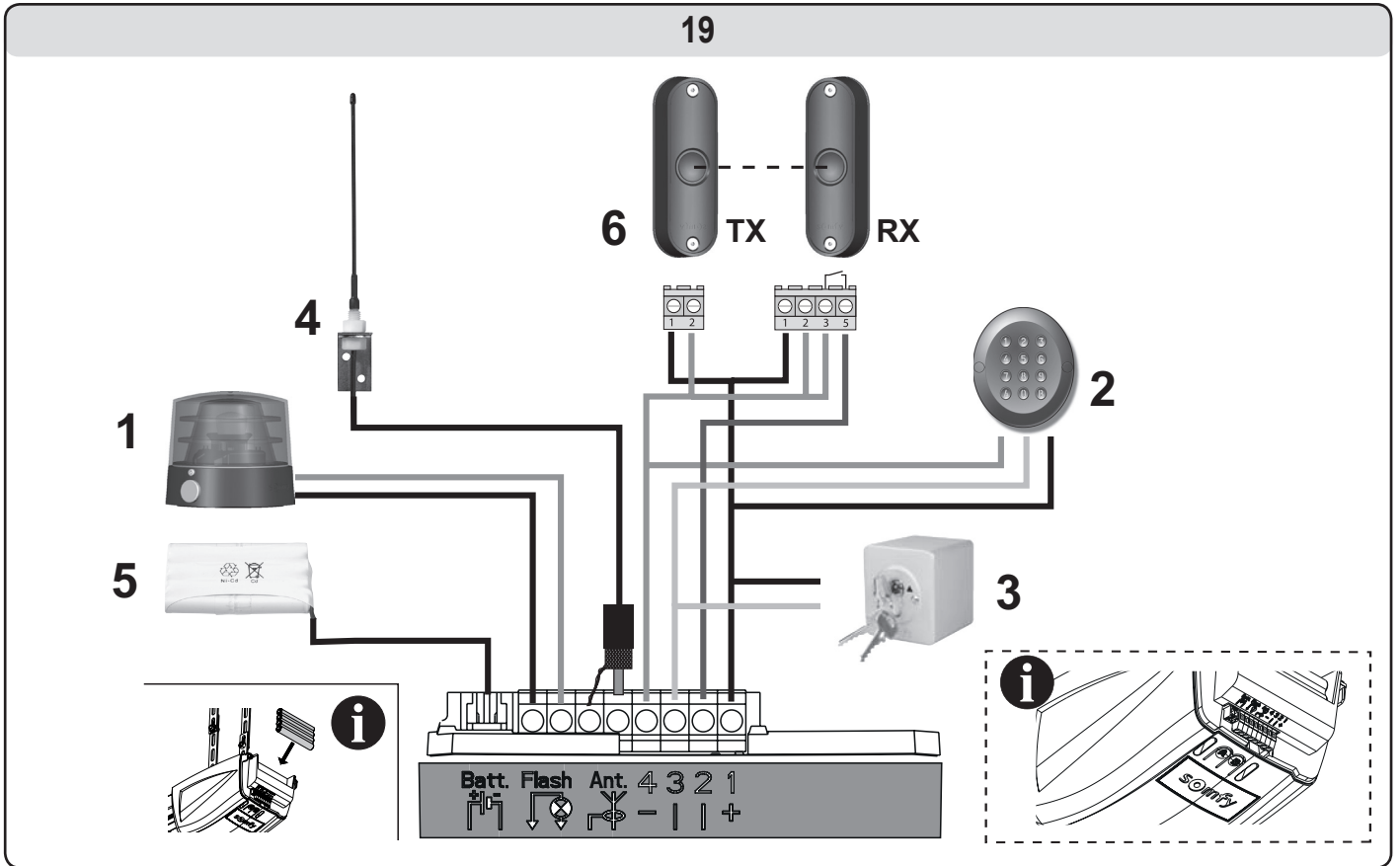


17

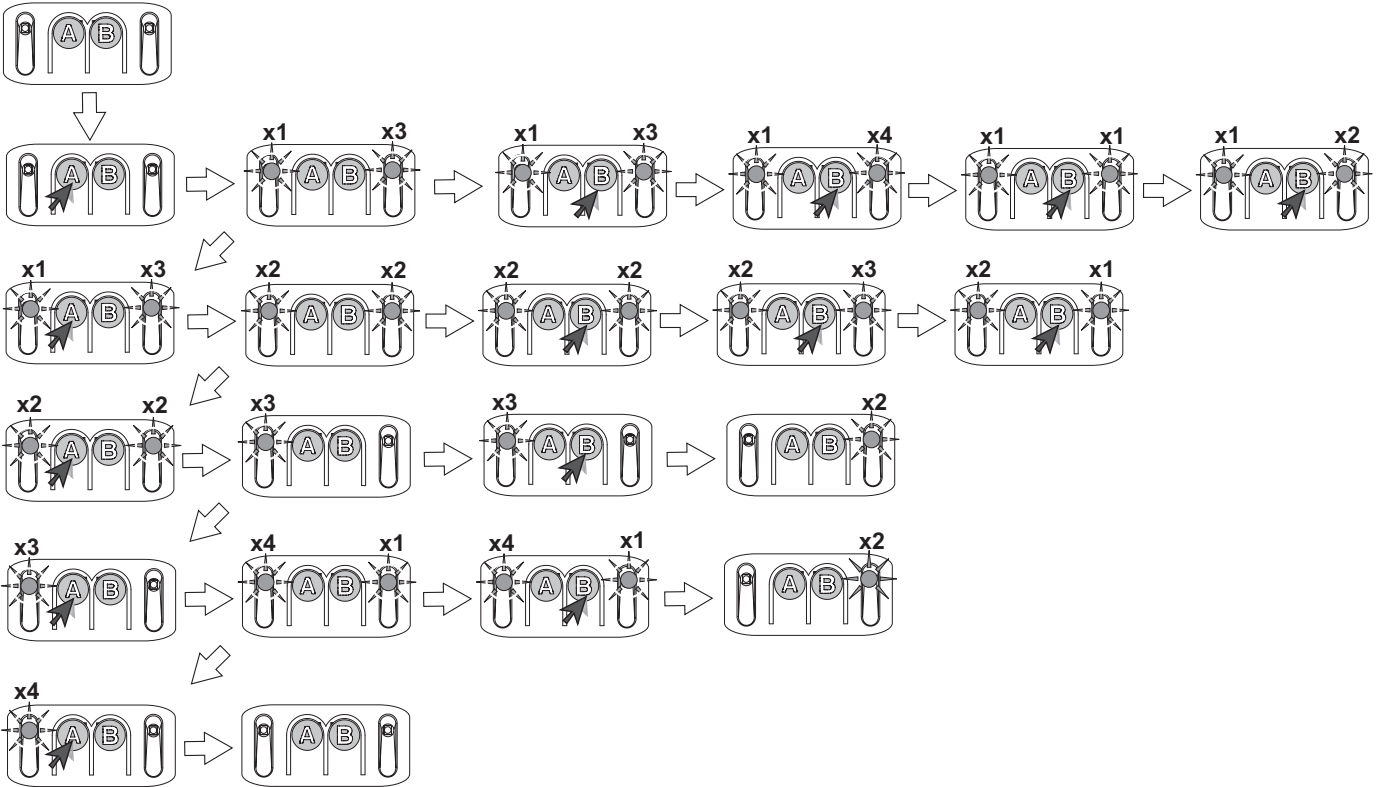


18

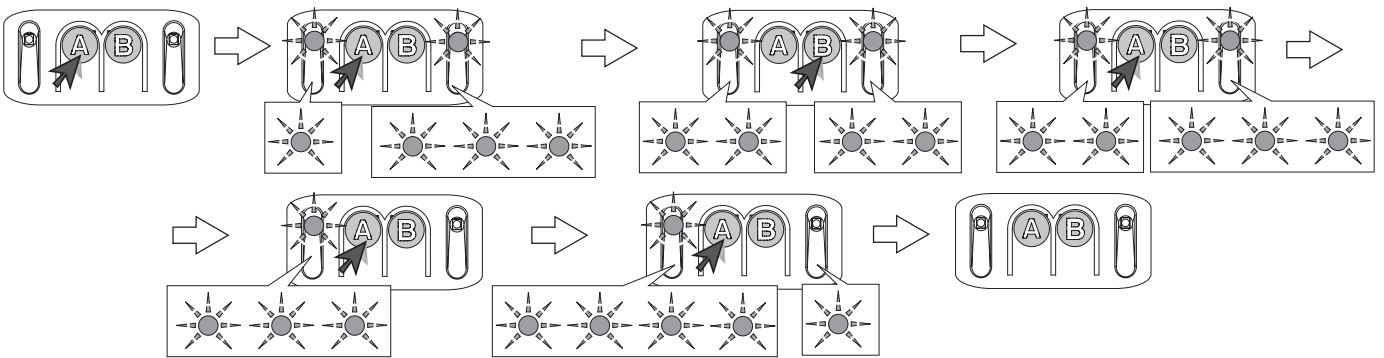




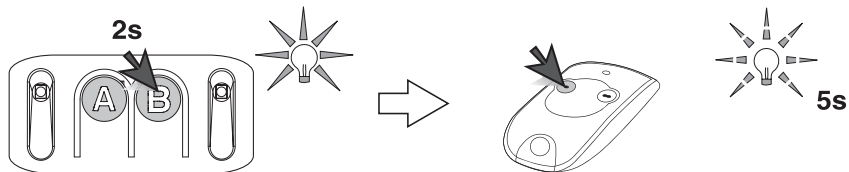
23



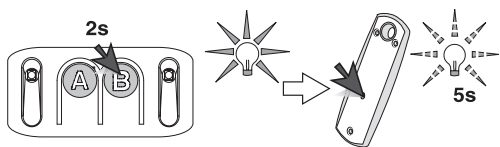
24



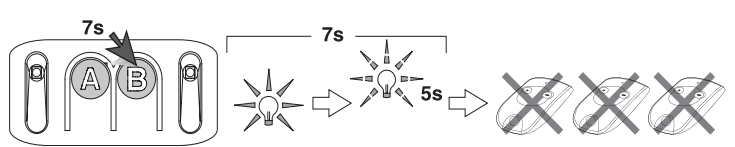
25



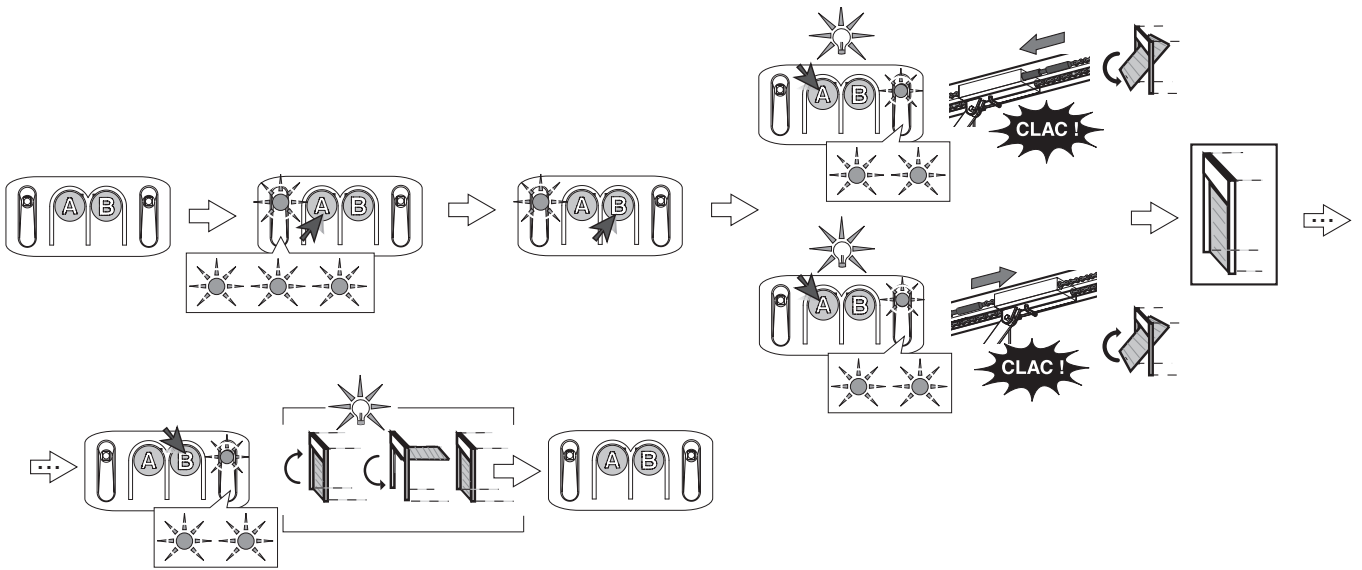
26



27



28



29

